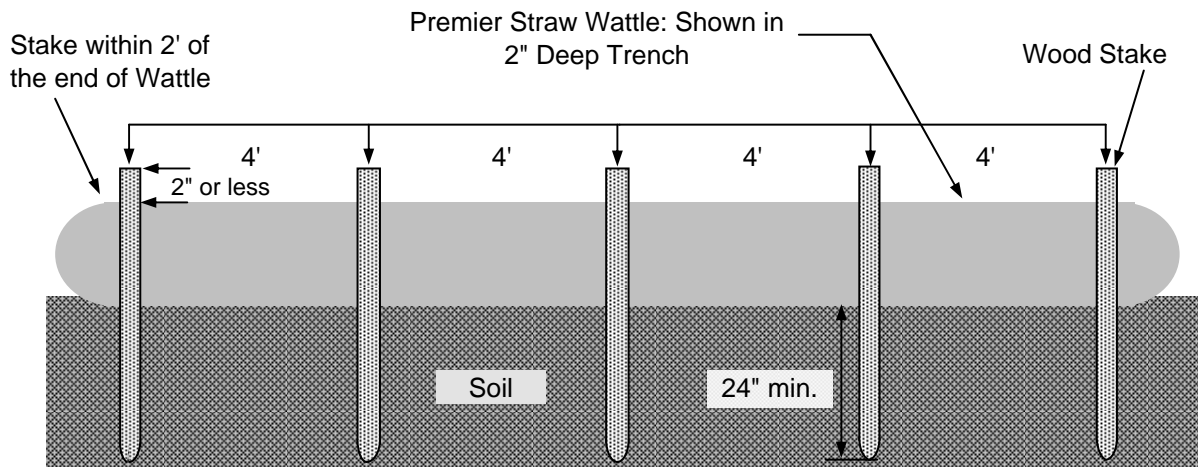
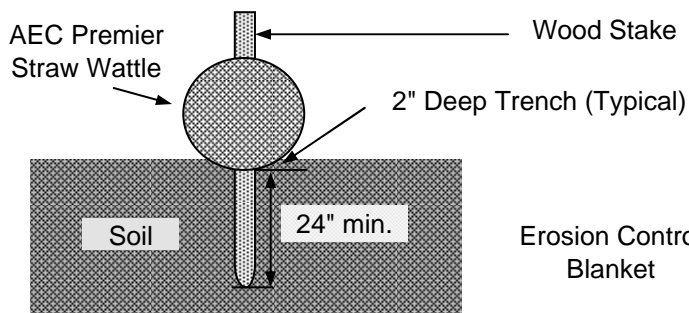




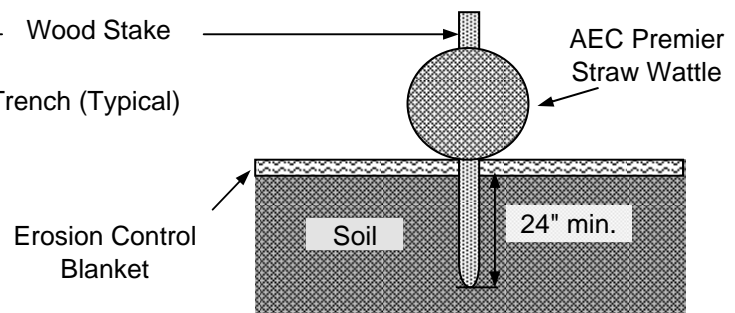
## AEC PREMIER STRAW® WATTLES Staking Pattern Guide



### Wattle Cross Section: On Bare Soil



### Wattle Cross Section: On Erosion Control Blanket



#### Notes:

1. Drawings are not to scale.
2. Ends of Wattles shall be turned slightly up slope.
3. Recommended stakes are 1 1/8" wide x 1 1/8" thick x 30" long. Stakes shall not extend above the straw wattle more than 2".