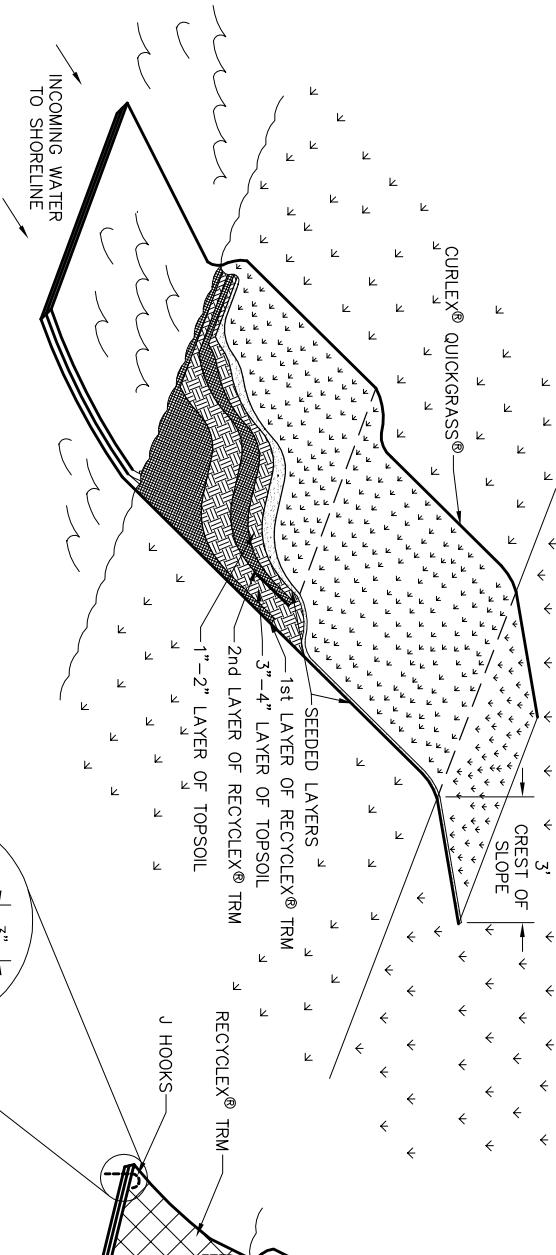


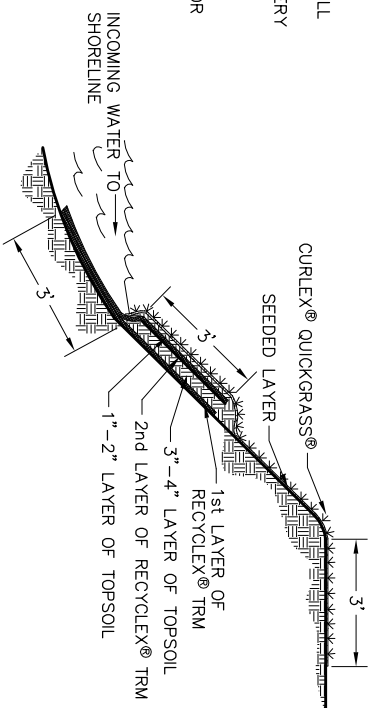
NOTE:

1. INSTALL FIRST LAYER OF RECYCLEX® TRM 8' WIDTH, A MINIMUM OF 3' BELOW NORMAL POOL & A MINIMUM OF 3' ABOVE NORMAL POOL.
2. INSTALL #3 (3/8) REBAR J-HOOKS (15" LENGTH WITH 3" CROWN) BELOW WATERLINE THROUGH RECYCLEX® TRM AS NEEDED TO TEMPORARILY SECURE UNTIL SECOND LAYER OF RECYCLEX® TRM IS INSTALLED AND PERMANENTLY ANCHORED.
3. ABOVE WATERLINE ANCHOR RECYCLEX® TRM, SOIL FILL TOPSOIL OVER RECYCLEX® TRM SO IT INTERMINGLES INTO AND ABOVE THE PERMANENT MATRIX 3"-4".
4. INSTALL SECOND LAYER OF RECYCLEX® TRM ON TOP OF FIRST LAYER OF RECYCLEX® TRM (BELOW WATERLINE) AND FIRST LAYER SOIL FILL (ABOVE WATERLINE).
5. INSTALL #3 (3/8) REBAR J-HOOKS (15" LENGTH WITH 3" CROWN) BELOW WATERLINE ALONG THE OUTSIDE EDGE OF RECYCLEX® TRM EVERY 4 FEET AND REPEAT AT EDGE OF THE WATERLINE.
6. ABOVE WATERLINE ANCHOR RECYCLEX® TRM, SOIL FILL TOPSOIL OVER RECYCLEX® TRM SO IT INTERMINGLES INTO AND ABOVE THE PERMANENT MATRIX 1"-2".
7. SEED TOPSOIL LAYER THAT WAS PLACED ON TOP OF RECYCLEX® TRM AND REMAINDER OF DISTURBED SLOPE WITH A MIXTURE SUITED FOR SITE CONDITIONS.
8. BEGINNING AT THE WATERLINE INSTALL CUREX® QUICKGRASS® BLANKETS OVER THE SEED/TOPSOIL LAYER TO PROMOTE IDEAL GROWING CONDITIONS FOR GRASS SEED ON THE SLOPE ABOVE THE WATERLINE. TO PROTECT THE REMAINING BARE SOIL CONTINUE THE INSTALLATION OF CUREX® QUICKGRASS® BLANKETS UNTIL IT HAS REACHED 3' OVER THE CREST OF THE SLOPE AND ANCHOR.
9. STAPLE PATTERNS ARE DEPENDENT ON SITE CONDITIONS. SEE CUREX® AND RECYCLEX® TRM STAPLE PATTERN GUIDES FOR DETAILS.



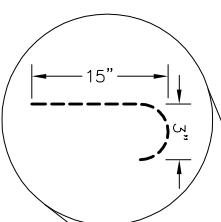
3D APPLICATION VIEW
NO SCALE

1
21



CROSS SECTION DETAIL
NO SCALE

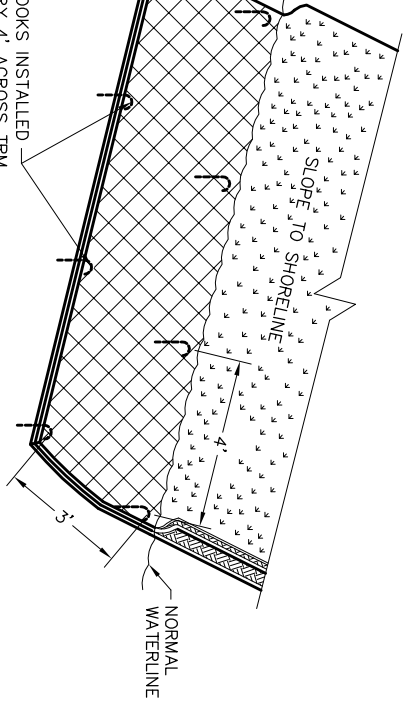
2
21



J HOOK DETAIL
NO SCALE

3
21

J HOOKS INSTALLED EVERY 4' ACROSS TRM LENGTH DIRECTLY BELOW NORMAL POOL LEVEL AND ANOTHER ROW 3' BELOW NORMAL POOL LEVEL



AMERICAN EXCELSIOR COMPANY
ARLINGTON, TEXAS

NO.	BY	DATE	REVISIONS

PROJECT MANAGER	
CHECKED BY	
APPROVED BY	

SHEET ASSIGNMENT
DOUBLE RECYCLEX®/CUREX® SYSTEM
SHORELINE PROTECTION DETAIL

DATE	10/29/05	DRAWN BY	
SCALE	NONE	PRODUCT NO.	
		SHEET NO.	21

