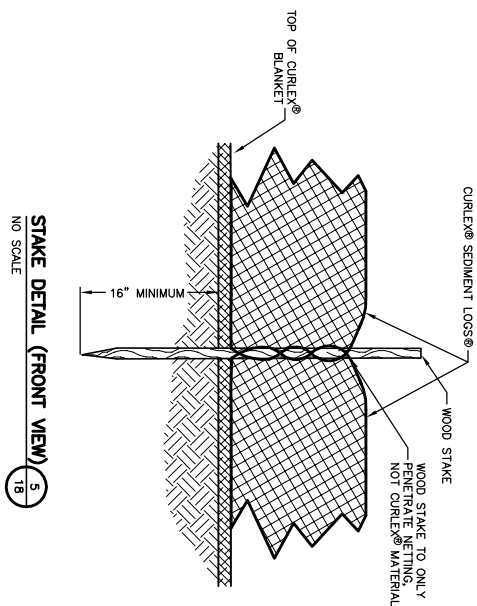
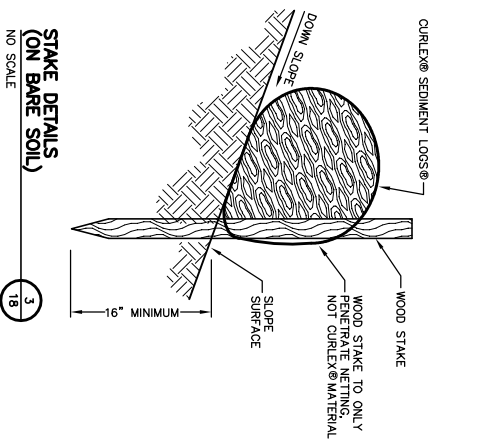
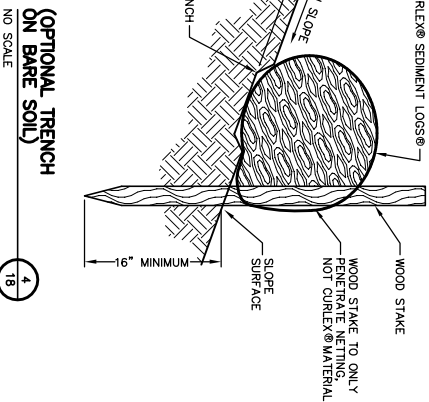
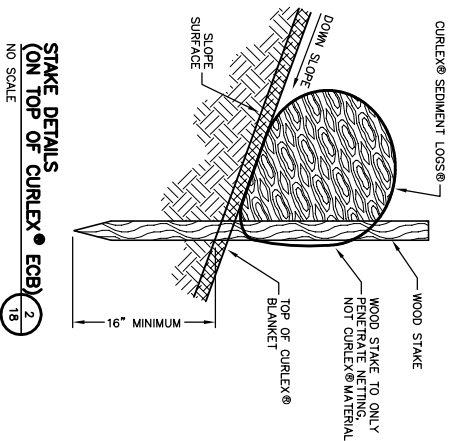


NOTE: TRENCH OPTION IS MOST APPLICABLE IN LOOSE, UNCONSOLIDATED SOILS.

1 1/8" X 1 1/8" X 30" WOODEN STAKES ARE RECOMMENDED FOR 6", 9", AND 12" SEDIMENT LOOPS

1 1/8" X 1 1/8" X 48" WOODEN STAKES ARE RECOMMENDED FOR 20" SEDIMENT LOOPS



| | | | | | | | | | |
|-----|------|------|-----------|----------------------------------|--|--|----------------------------|--------------------------|--------------|
| NO. | REV. | DATE | REVISIONS | PROJECT MANAGER BY: APPROVED BY: | AMERICAN EXCELSIOR COMPANY ARLINGTON, TEXAS | SHEET DESCRIPTION CURLEX® SEDIMENT LOOP® SLOPE INTERRUPTION DETAIL | DATE 5/23/05 SCALE NONE | DRAWN BY: PROJECT NO. 18 | SHEET NO. 18 |
|-----|------|------|-----------|----------------------------------|--|--|----------------------------|--------------------------|--------------|

