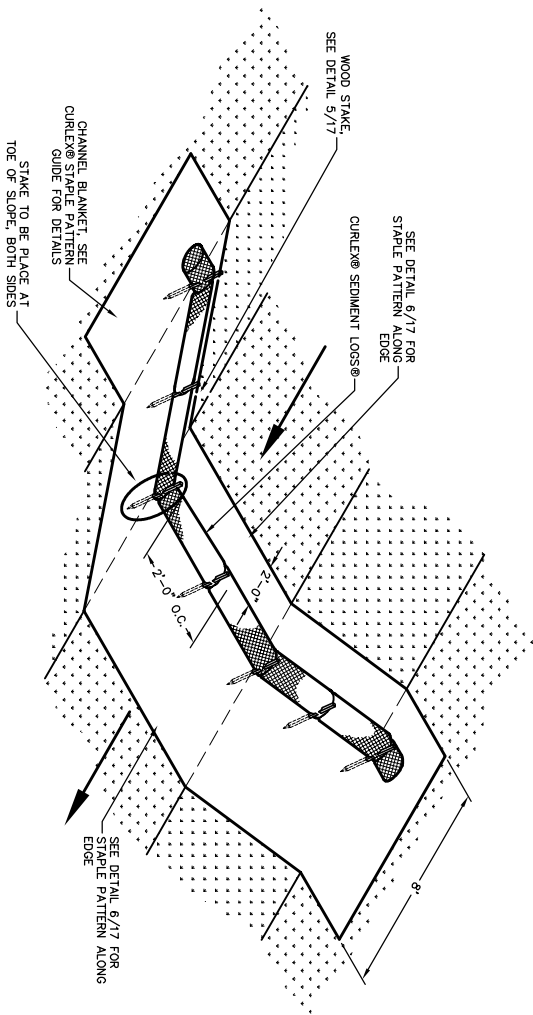


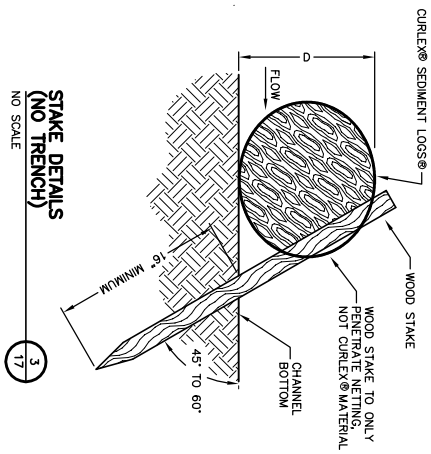
**CURLEX® SEDIMENT LOGS® DETAIL (NO BLANKET)**  
NO SCALE

1  
17



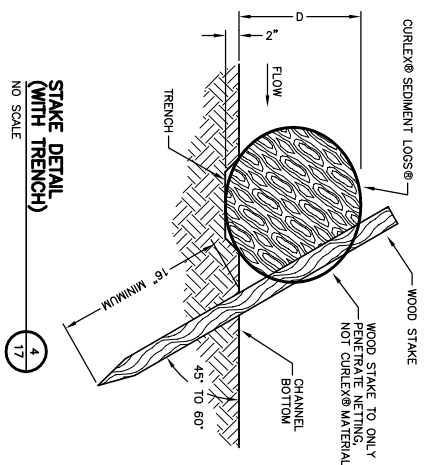
**CURLEX® SEDIMENT LOGS® DETAIL (WITH BLANKET)**  
NO SCALE

2  
17



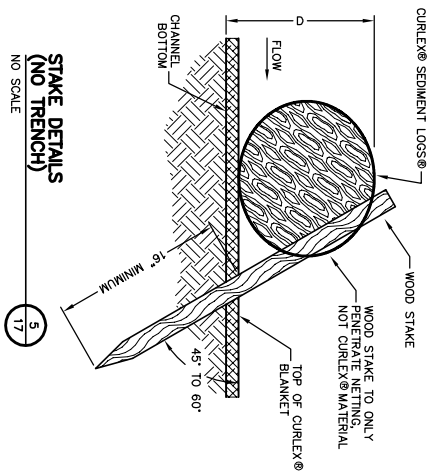
**STAKE DETAILS (NO TRENCH)**  
NO SCALE

3  
17



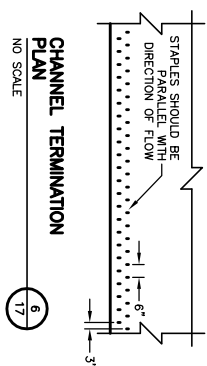
**STAKE DETAIL (WITH TRENCH)**  
NO SCALE

4  
17



**STAKE DETAILS (NO TRENCH)**  
NO SCALE

5  
17



**CHANNEL TERMINATION**  
NO SCALE

6  
17

[ ] CHANNEL GRADIENT (%) X 100 = CURLEX® SEDIMENT LOGS® SPACING (ft)  
[ ] DISTANCE BETWEEN CHANNEL BOTTOM AND TOP OF INSTALLED CURLEX® SEDIMENT LOGS® (D)(ft)

**RECOMMENDED PLACEMENT INTERVAL BETWEEN CURLEX® SEDIMENT LOGS®**

\* (SLANTED STAKING VERSION)

American  
Excelisior  
Company®  
Earth Science Division

AMERICAN EXCELSIOR COMPANY  
ARLINGTON, TEXAS

CURLEX® SEDIMENT LOGS®  
DITCH/CHANNEL APPLICATION DETAIL

DATE 1/7/03  
SCALE NONE  
DRAWN BY  
PROJECT NO.  
SHEET NO. 17

PROJECT MANAGER BY: APPROVED BY:  
NO. REV. DATE REVISIONS