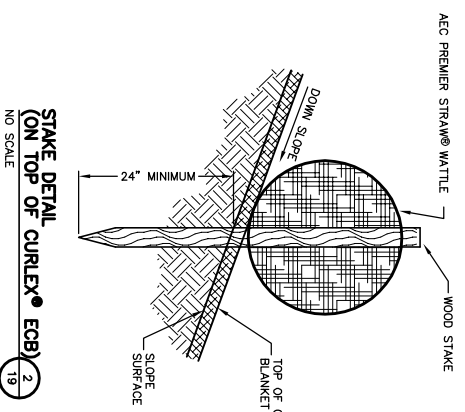


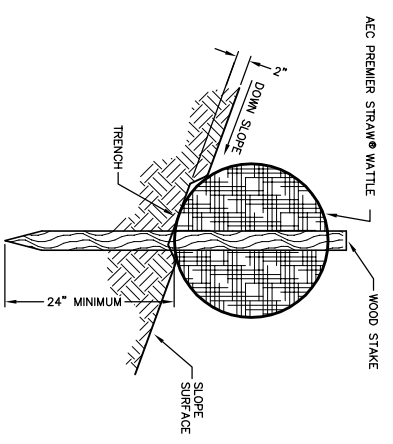
SLOPE DETAIL
NO SCALE

1
19



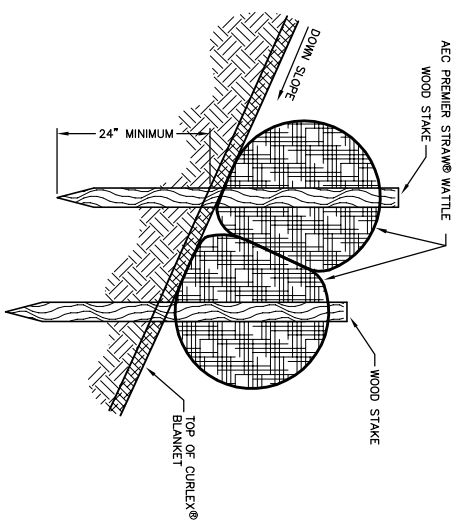
**STAKE DETAIL
(ON TOP OF CURLEX® ECB)**
NO SCALE

2
19



**STAKE DETAIL
(ON BARE SOIL)**
NO SCALE

3
19



**STAKE DETAIL
(SECTION VIEW)**
NO SCALE

4
19

PROJECT	NO.	BY	DATE	REVISIONS	APPROVED BY:	PROJECT NO.	SHEET NO.
AMERICAN EXCELSIOR COMPANY							
ARLINGTON, TEXAS							
SHEET DESCRIPTION	AEC PREMIER STRAW® WATTLE		DATE 5/23/05	SCALE NONE	DRAWN BY	PROJECT NO.	SHEET NO.
SLOPE INTERRUPTION DETAIL							19

