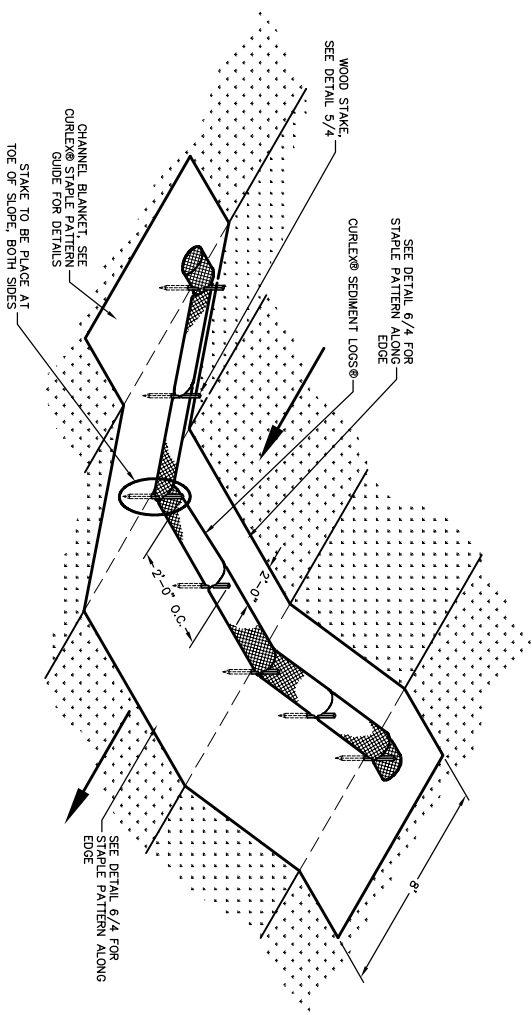


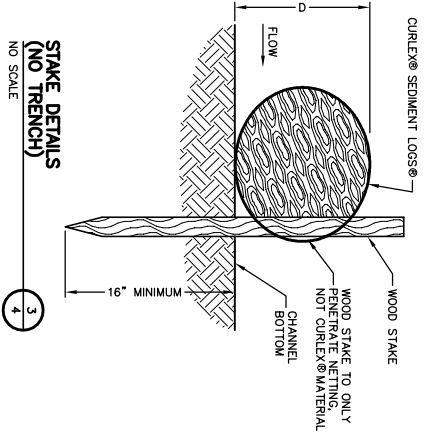
**CURLEX® SEDIMENT LOOS® DETAIL (NO BLANKET)**  
NO SCALE

1 4



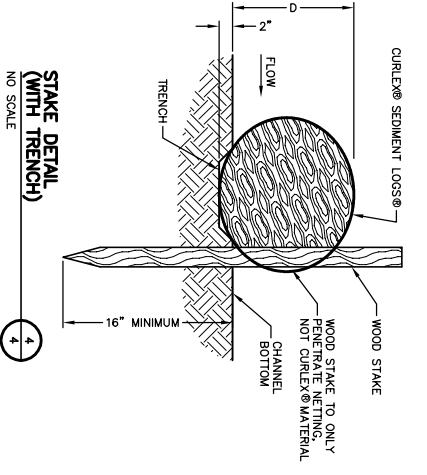
**CURLEX® SEDIMENT LOOS® DETAIL (WITH BLANKET)**  
NO SCALE

2 4



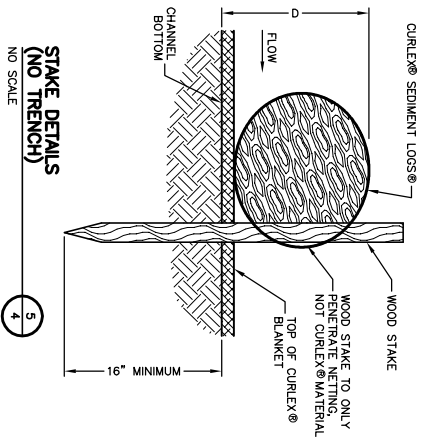
**STAKE DETAILS (NO TRENCH)**  
NO SCALE

3 4



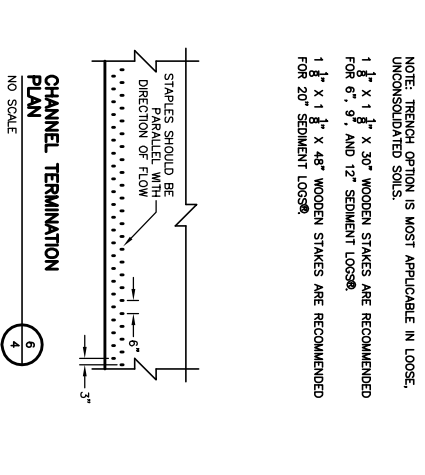
**STAKE DETAIL (WITH TRENCH)**  
NO SCALE

4 4



**STAKE DETAILS (NO TRENCH)**  
NO SCALE

5 4



[ ] DISTANCE BETWEEN CHANNEL BOTTOM AND TOP OF INSTALLED CURLEX® SEDIMENT LOOS® (D)/(H) / CHANNEL GRADIENT (%) X 100 = CURLEX® SEDIMENT LOOS® SPACING (H)

**RECOMMENDED PLACEMENT INTERVAL BETWEEN CURLEX® SEDIMENT LOOS®**

NOTE: TRENCH OPTION IS MOST APPLICABLE IN LOOSE, UNCONSOLIDATED SOILS.

1 3/4" X 1 3/4" X 30" WOODEN STAKES ARE RECOMMENDED FOR 6", 9", AND 12" SEDIMENT LOOS®.

1 3/4" X 1 3/4" X 48" WOODEN STAKES ARE RECOMMENDED FOR 20" SEDIMENT LOOS®.

NO.	BY	DATE	REVISIONS	PROJECT	DESIGNED BY:	APPROVED BY:	SHEET DESCRIPTION	DATE	SCALE	DRAWN BY:	SHEET NO.	
				AMERICAN EXCELSIOR COMPANY			CURLEX® SEDIMENT LOOS® DITCH/CHANNEL APPLICATION DETAIL	1/7/03	NONE		4	
							ARLINGTON, TEXAS					

